

EXAMGOOD

QUESTION & ANSWER

Exam Good provides update free of charge in one year!

Accurate study guides
High passing rate!

<http://www.examgood.com>

Exam : **C2010-657**

Title : **IBM Tivoli Netcool/OMNibus
V7.4 Implementation**

Version : **DEMO**

1.What is the recommended solution delivery mechanism for Native Event List tools, prompts, and menus?

- A.They are included in the WebGUI configuration.
- B.They should be packaged up using nco_conf pack.
- C.They should be included in the solution delivery SQL file.
- D.They should be documented in the detailed design document but not delivered in the solution delivery package

Answer: B

2.What does the nco_pa_status tool display?

- A.the status output from a named Process Agent
- B.the status output from all Process Agents in the installation
- C.process accounting information for the named ObjectServer
- D.process accounting information for all binaries in the IBM Tivoli Netcool/OMNIBus installation

Answer: A

3.The username and password for the ObjectServer datasource is configured in which WebGUI configuration file?

- A.\$NCHOME/omnibus_webgui/etc/server.init
- B.\$NCHOME/omnibus_webgui/etc/datasources/ncwDataSource.dtd
- C.\$NCHOME/omnibus_webgui/etc/datasources/ncwDataSource.xml
- D.\$NCHOME/omnibus_webgui/etc/datasources/ncwDataSourceDefinitions.xml

Answer: D

4.Pluggable Authentication Modules are used to verify user credentials on a Linux host.What is the correct command line to start process control?

- A.%NCHOME/omnibus/bin/nco_pad -admingroup roots -authenticate KER -secure
- B.%NCHOME/omnibus/bin/nco_pad -admingroup root -authenticate PAM -secure
- C.%NCHOME/omnibus/bin/nco_pad -admingroup admin -authenticate PLUG -secure
- D.%NCHOME/omnibus/bin/nco pad -admingroup admin -authenticate UNIX -secure

Answer: B

5.What is the purpose of the BufferSize probe property (common to all probes)?

- A.It tells a probe how much memory to allocate for its internal buffers.
- B.It tells a probe the size of the buffer to use when reading alerts from its data source.
- C.It tells a probe the maximum number of alerts to buffer before flushing them to the destination ObjectServer(s).
- D.It tells a probe the maximum number of alerts to have awaiting processing by the rules file.Events received when the buffer is full are discarded automatically.

Answer: C

6.Which two actions are required when configuring a CGI script to use via a WebGUI tool? (Choose two.)

- A.ensure the script is writeable
- B.ensure the script is executable

- C.save the CGI script on the Web GUI server in the \$NCHOME/etc/cgi-bin directory
- D.save the CGI script on the Web GUI server in the \$OMNIHOME/etc/cgi-bin directory
- E.save the CGI script on the Web GUI server in the \$NCHOME/omnibus_webgui/etc/cgi-bin directory

Answer: BE

7.Examine this part of a rules file (line numbers added for troubleshooting)

```
[10] @Node=$node
[11] table dept="$NC_RULES_HOME/Dept.lookup"
[12] @Department=lookup($node,dept)
```

When running a syntaxcheck this error is displayed:

```
2013-01-22T11:25:14: Debug: D-UNK-000-000: Plain text rules file detected.
2013-01-22T11:25:14: Debug: D-ETC-004-050: THREAD MGR: thread Request Thread (0x80d0c58) running
2013-01-22T11:25:14: Error: E-UNK-000-000: Rules file 'snmptrap.rules' line 11: parse error
2013-01-22T11:25:14: Debug: D-UNK-000-000: Rules file caching is disabled.
2013-01-22T11:25:14: Error: E-UNK-000-000: Error(s) in rules file
```

What is the cause of this error?

- A.Dept.lookup has a syntax error.
- B.Department is not a valid Objectserver field.
- C.The NC_RULES_HOME environment variable is not set.
- D.Lookup table definitions must be located at the start of a rules file

Answer: D

8.Which two statements are true regarding Group Filters in WebGUI V7.4? (Choose two.)

- A.Only a single copy of the filter is needed.
- B.Only users with ncw_admin role can add group filters.
- C.User retains a copy of the filter when leaving the group.
- D.Global, system, user filters can depend on group filters.
- E.Allows users to share filters based on their membership.

Answer: AE

9.What is taken into consideration while calculating sizing for a server that will only run an IBM Tivoli Netcool/OMNIBusObjectServer?

- A.number of operator users configured
- B.number of WebGUI maps configured
- C.number of custom SQL triggers configured
- D.number of Process Control agents configured within the solution

Answer: C

10.A company is assessing their user and group requirements for WebGUI WebGUI was configured for ObjectServer authentication during the installation.These users will need access to WebGUI

10 users will be monitoring the Active Event List in shifts.They will run tools that will modify events

1 manager will connect to the Active Event List occasionally to view certain event information

1 user will modify the Event Dashboard portlet preferences

3 users will configure the product to create views and filters for all users

Given these requirements, how many users will belong to each of the default user groups?

- A. 1 user is member of ncouser group, and 14 users are members of ncoadmin group.
- B. 11 users are members of ncouser group, and 4 users are members of ncoadmin group.
- C. 1 user is member of Netcool_OMNIBus_User group, and 14 users are members of Netcool_OMNIBus_Admin group.
- D. 11 users are members of Netcool_OMNIBus_User group, and 4 users are members of Netcool_OMNIBus_Admin group

Answer: C

11. A company is using Federated Repository with 3 LDAP servers defined. Users and groups are synced to the ObjectServer. Some users cannot log in to the Tivoli Integrated Portal. The SystemOut.log shows this exception:

```
[1/23/13 12:44:03:743 CST] 000000b5 exception    E com.ibm.ws.wim.ProfileManager loginImpl
com.ibm.websphere.wim.exception.DuplicateLogonIdException: CWWIM4538E Multiple principals were
found for the 'jsmith' principal name.
```

What can the administrator do to prevent the error?

- A. use one LDAP server only
- B. switch users.credentials.sync to False
- C. ensure usernames are unique across repositories
- D. use different value for users.credentials.sync.groupname

Answer: C

12. Which role is required to administer groups and roles in IBM Tivoli Netcool/OMNIBus V7.4 WebGUI?

- A. iscadmins
- B. nco_admin
- C. configurator
- D. administrator

Answer: A

13. Which statement is true about a signal trigger?

- A. It is executed repeatedly based on a specified frequency.
- B. It can only be executed if the system is running under process control.
- C. It can only be executed before or after an event is updated in the ObjectServer.
- D. It responds to changes detected within the IBM Tivoli Netcool/OMNIBus processes

Answer: D

14. Which three methods can be used to improve the resiliency of the IBM Tivoli Netcool/OMNIBus deployment? (Choose three.)

- A. deploying ObjectServers in pairs
- B. configuring and maintaining single sign-on capability
- C. deploying a second probe in peer-to-peer mode for any running probe
- D. using a probe raw capture file to determine the raw data reaching a probe
- E. setting up a cluster of Web GUI servers and then enabling Web GUI load balancing
- F. enabling multiple logins to allow multiple users to log in using the same user ID and password

Answer: ACE

15.What must be configured to run an ObjectServer in FIPS 140-2 security mode?

- A.set the SecurityEncryption property of the ObjectServer to the DES setting
- B.set the SecurityEncryption property of the ObjectServer to the AES setting
- C.set the PasswordEncryption property of the ObjectServer to the DES setting
- D.set the PasswordEncryption property of the ObjectServer to the AES setting

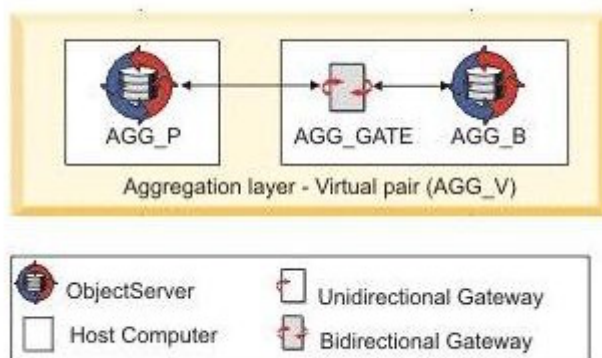
Answer: D

16.What is the only environment variable that has to be set to start the Display ObjectServer?

- A.NCHOME
- B.OMNI_HOME
- C.JAVA_HOME
- D.LD_LIBRARY_PATH

Answer: A

17.Click the Exhibit button.



An administrator at Widgetcom intends to use the standard multitier architecture configuration that ships with IBM Tivoli Netcool/OMNIbus V7.4 (Netcool/OMNIbus) to deploy an aggregation pair of ObjectServers AGG_P (primary) and AGG_B (backup) with a failover bidirectional gateway connecting them: AGG_GATE.

Two physical computer systems will be used to deploy this single tier deployment of Netcool/OMNIbus.What is the minimum memory that should be provisioned for the Netcool/OMNIbus components running on the primary aggregation ObjectServer host?

- A.1 GB
- B.2 GB
- C.4 GB
- D.6 GB

Answer: C

18.

An ObjectServer is being configured with High Availability.
The primary ObjectServer, called LONDON_P, is configured on servera.
The backup ObjectServer, called LONDON_B, is configured on serverb.
The synchronizer gateway, called LONDON_GATE, is installed on serverb.
Neither of the ObjectServers is running in Secure Mode.

The goal is a configuration that implements ObjectServer failover and fallback in the most efficient manner and in accordance with standard Best Practices.

Which statement is true about configuring ObjectServer users in the LONDON_GATE property file?

- A. Different ObjectServer user names can be used for each ObjectServer.
- B. ObjectServer user names and passwords are not required in the gateway property file.
- C. The password value entered in the gateway property file for the ObjectServer users must be encrypted using the nco_g_crypt Utility.
- D. The same ObjectServer user name configured in the gateway property file must be defined in the LONDON_P and LONDON_B ObjectServers.

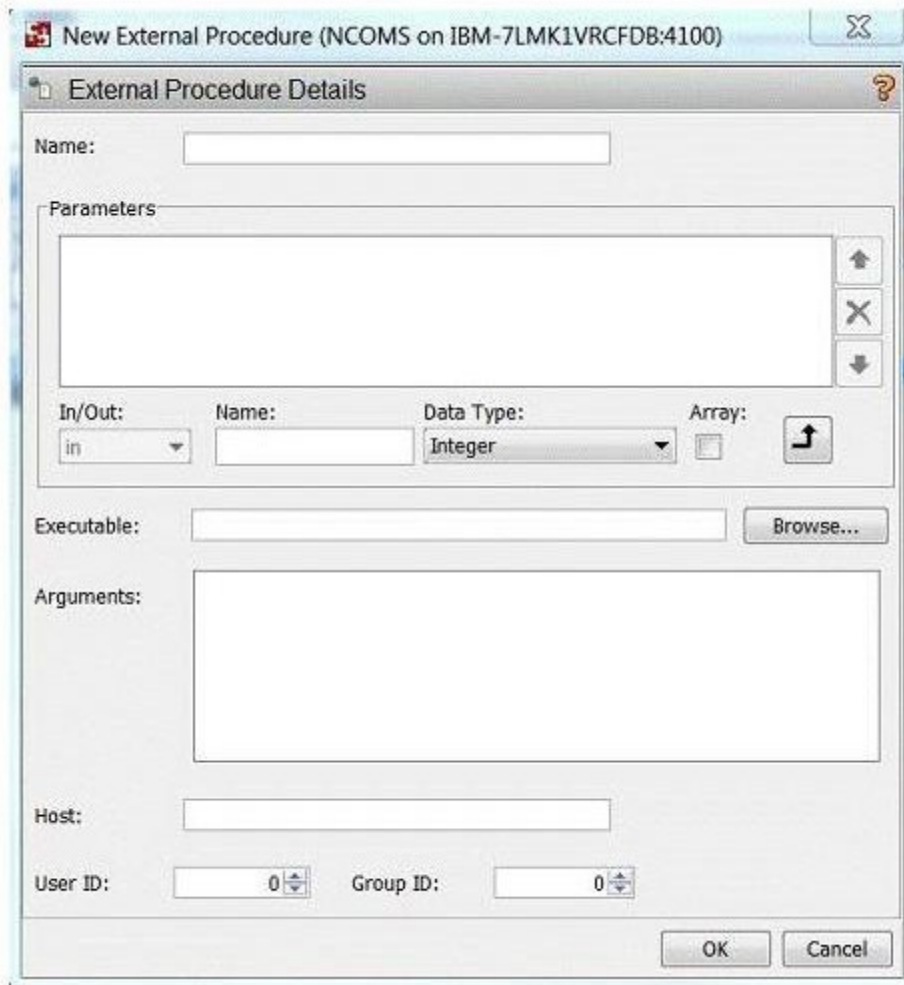
Answer: B

19. When developing several new pages in a sandbox dev/test system for the WebGUI, the work is ready to migrate to production during a change control. How is the migration performed?

- A. use a series of tipcli.sh import and export commands
- B. migrate the files in tip_home_dir/profiles/TIPProfile/output to the new system
- C. use the import/ export wizard in the Settings page of the WebGUI as an administrator
- D. create a tar file of the appropriate files in tip_home_dir/profiles/TIPProfile/etc/pages; transfer the tar file to the new system and untar in the same location

Answer: A

20. Click the Exhibit button.



When creating a new external procedure in the ObjectServer, which hostname should be listed as the Host parameter?

- A.localhost
- B.the ObjectServer hostname
- C.the local Process Agent name
- D.the hostname where the executable will be run

Answer: D